



BJÖRK

DAN DRYER A/S
Tåsingevej 2
DK-8940 Randers SV

+45 86 41 57 11
info@dandryer.com
dandryer.com



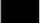


ELEGANT AND STYLISH

With a groundbreaking design in sanitary products, harmonization is one of the keywords behind the award-winning product series. BJÖRK stands out with its simple, contemporary, clean lines.

The BJÖRK series includes a complete range of products in the same design, allowing for a cohesive solution that is a delight to the aesthetic eye.



BJÖRK IS AVAILABLE IN

- BLACK 
- WHITE 
- OPTIONAL RAL CLASSIC 

DISPENSERS

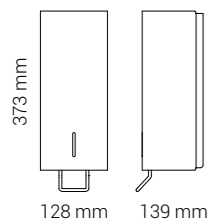
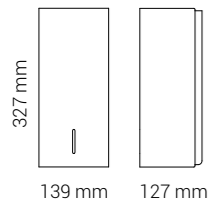
Touch-free

- Powder coated stainless steel
- 9,5 dl (=800-950 doses)
- Battery-operated
- LED light indicates when dispenser is in use
- Matt black, classic white and all RAL colours
- Top plate available in six different colours
- Optional drip tray
- 2-year warranty

Manual

- Powder coated stainless steel
- 1,2 l soap/disinfection (=1000-1200 doses)
- For foam soap, liquid soap and disinfectant
- Matt black, classic white and all RAL colours
- Top plate available in six different colours
- Optional drip tray
- 2-year warranty

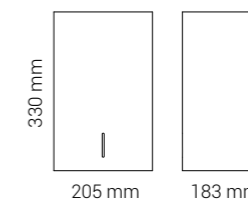
Can be mounted on floor or table stand.





HAND DRYER

- Powder coated stainless steel
- Drying cycle of 10-15 sec.
- Adjustable sensor, motor speed and heating
- Matt black, classic white and all RAL colours
- Top plate available in six different colours
- 5-year warranty
- LED light indicates when machine is in use



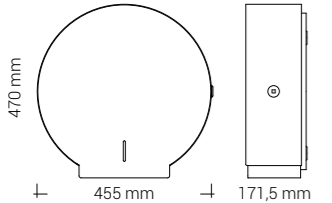
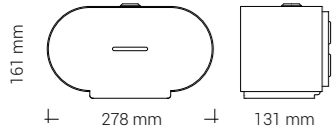
TOILET ROLL HOLDERS

Double

- Powder coated stainless steel
- Holds two standard rolls
- Matt black, classic white and all RAL colours
- 2-year warranty

Jumbo

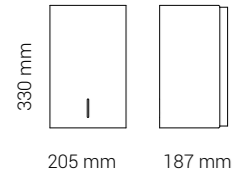
- Powder coated stainless steel
- Suited for high-traffic restrooms
- Holds one Jumbo roll + one standard roll
- Matt black, classic white and all RAL colours
- 2-year warranty



PAPER DISPENSERS

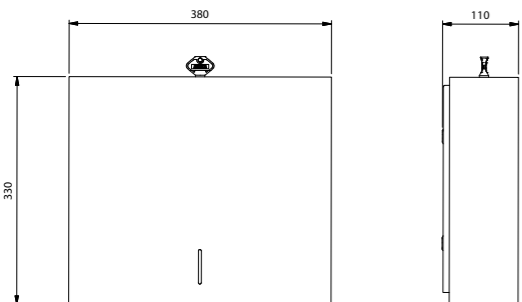
Centrefeed paper towel dispenser

- Powder coated stainless steel
- Safety lock
- Holds common sizes of centrefeed rolls
- Matt black, classic white and all RAL colours
- Top plate available in six different colours
- 2-year warranty



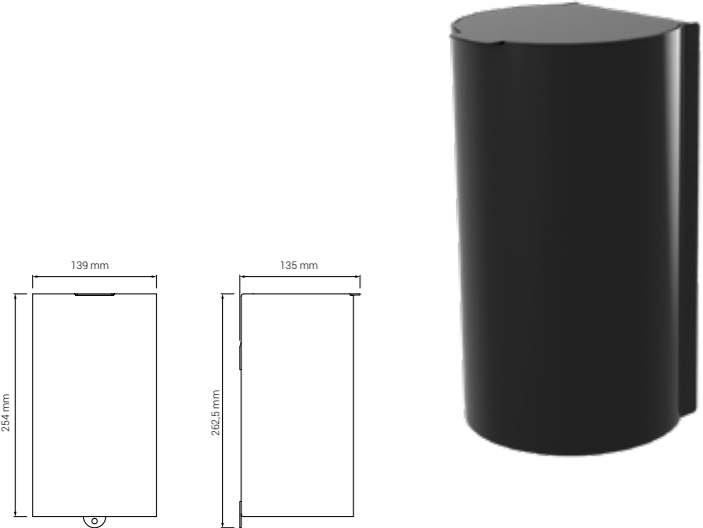
Paper towel dispenser

- A window on the front allows you to monitor the fill level
- Features lock to help prevent tampering and vandalism
- 2-year warranty
- Matt black, classic white and all RAL colours
- Capacity: 180 pcs. 3-ply Z/W/C-folded paper towels (if DAN DRYER Prod. No.: 3265 is used)



SANITARY BIN

- Powder coated stainless steel
- 3 L capacity
- Matt black, classic white and all RAL colours
- 2-year warranty

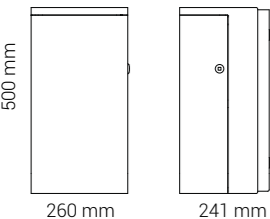


- Powder coated stainless steel
- 12 L capacity
- Spring-loaded bag holder
- Matt black, classic white and all RAL colours
- 2-year warranty



WASTE BIN

- Powder coated stainless steel
- 18 l capacity
- Side-hinged cabinet door
- Matt black, classic white and all RAL colours
- 2-year warranty





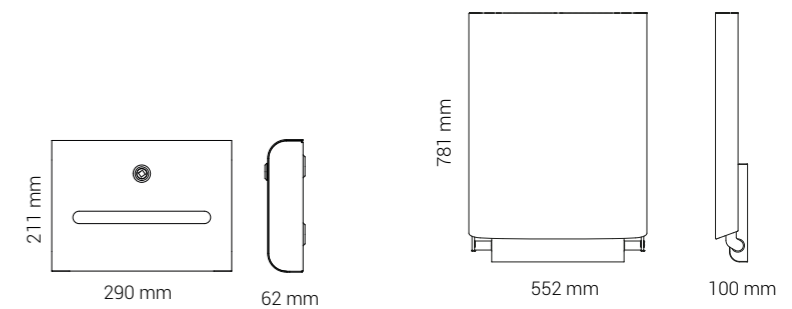
BABY CHANGING STATION

- Powder coated steel and aluminium
- Certified in accordance with DIN EN 12221-1:2008 + A1:2013
- Carrying capacity of up to 80 kg
- Torsion springs ensure the smooth and easy opening and closing motion
- Matt black, classic white and all RAL colour
- 2-year warranty



Paper dispenser for baby unit

- Powder coated stainless steel
- Complements the baby changing station
- Matt black, classic white and all RAL colours
- 2-year warranty



MIRROR

- 1000 x 500 mm
- Versatile hanging options. Horizontally or vertically
- Suited for entryways, bedrooms, or bathrooms
- Timeless design which complements any interior decor
- Available in matte black, white, or RAL classic color
- Can be combined with all DAN DRYER product lines: BJÖRK, LOKI, TAPS, and Stainless Design
- 2 year warranty



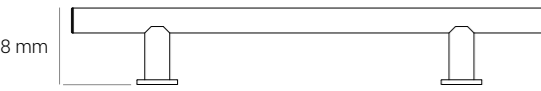
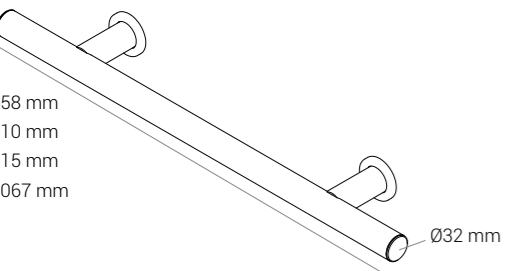
500 mm

1000 mm



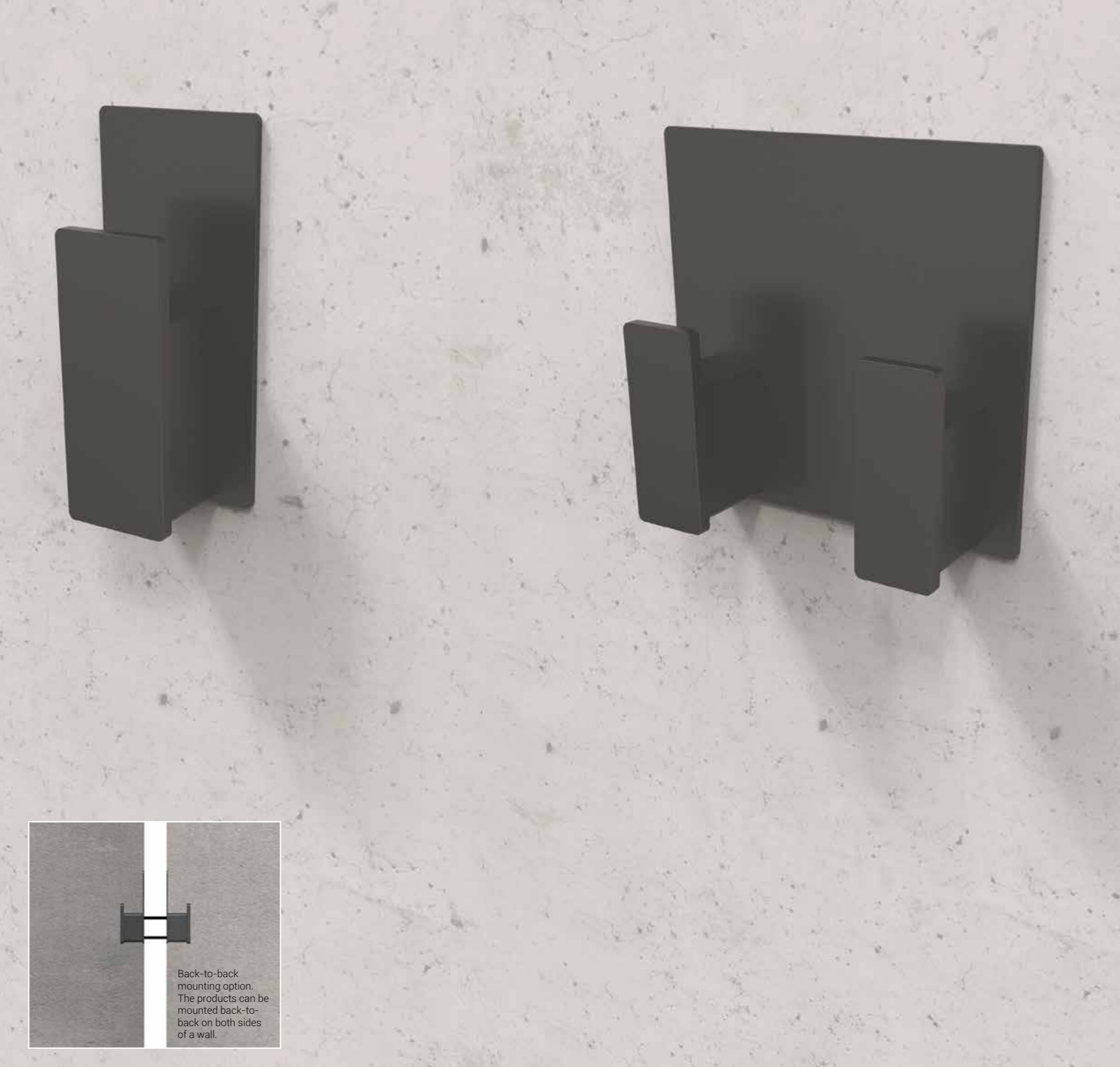
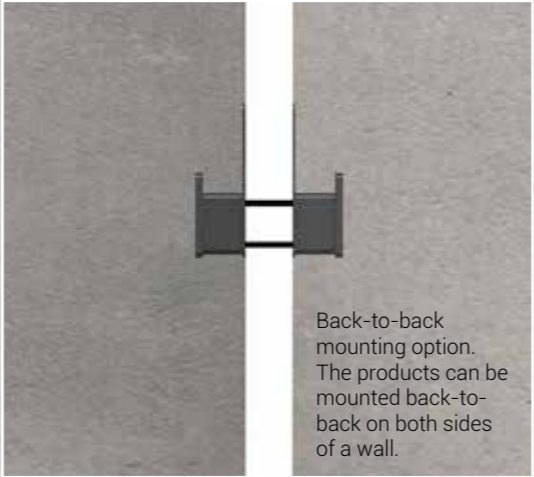
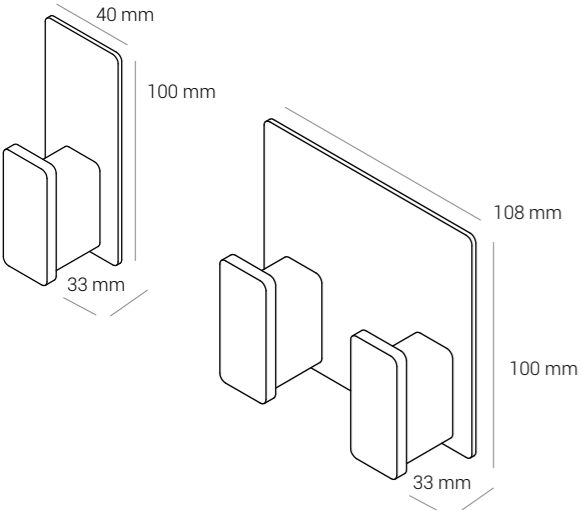
GRAB BARS

- Available in 4 sizes; 458, 610, 915 and 1067 mm
- Enhance and ensure accessibility and stability for everyone
- Available in stainless steel, matte black, white, or RAL classic color
- Can be combined with all DAN DRYER product lines: BJÖRK, LOKI, TAPS, and Stainless Design
- 2 year warranty



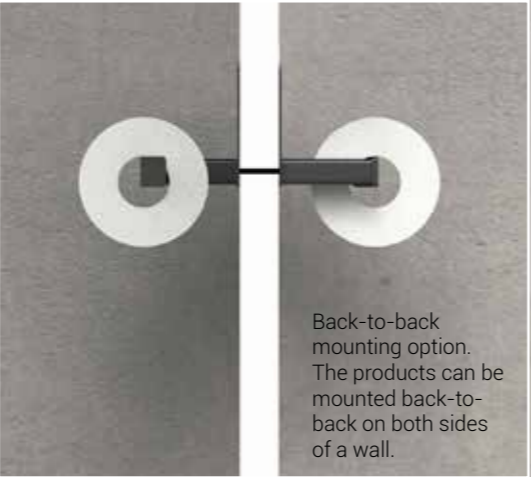
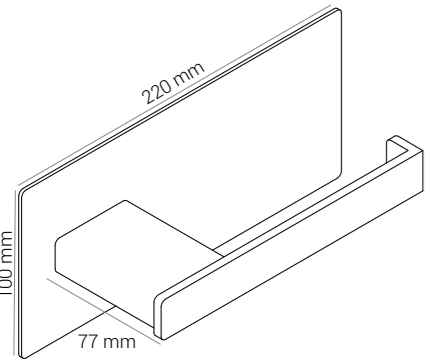
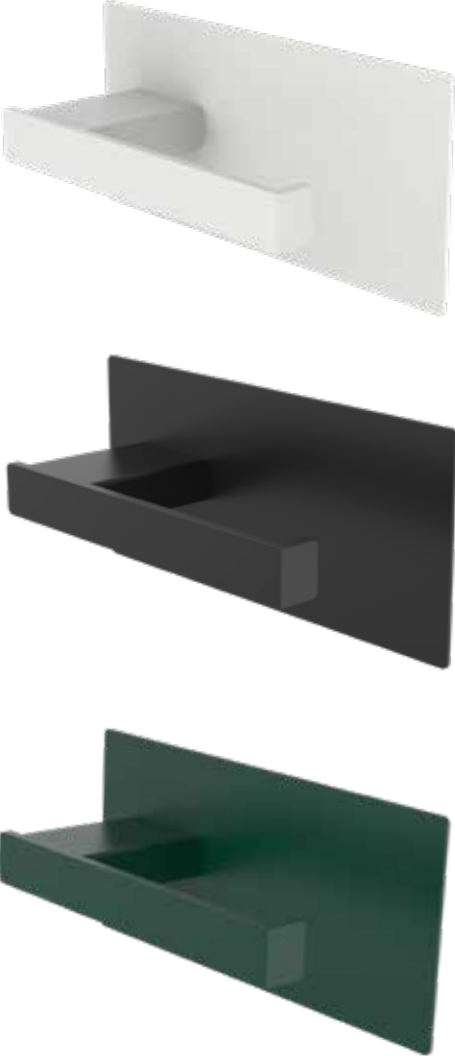
COAT HOOK

- Available in 2 sizes; single or double
- Suited for offices, entryways, bedrooms, or bathrooms
- Back-to-back mounting option
- Sleek design
- Available in matte black, white, or RAL classic color
- 2 year warranty



TOILET ROLL HOLDER

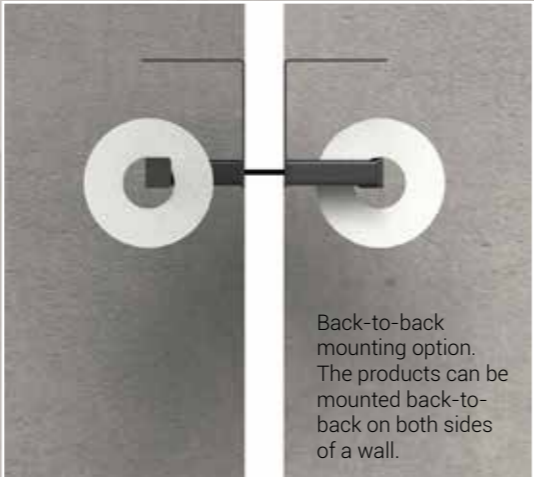
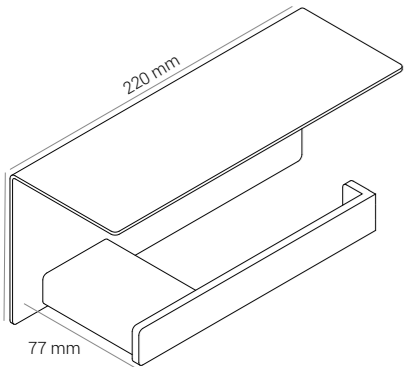
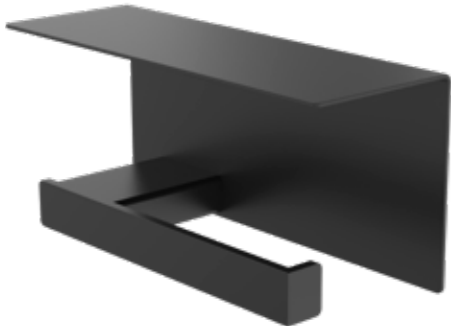
- Capacity: 1 standard size paper roll
- Available as right- and left-oriented
- Ideal for low to medium traffic restrooms
- Back-to-back mounting option
- Sleek design
- Available in matte black, white, or RAL classic color
- 2 year warranty



Back-to-back mounting option. The products can be mounted back-to-back on both sides of a wall.

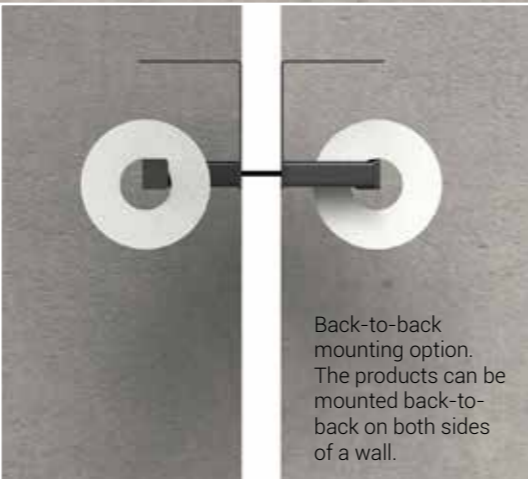
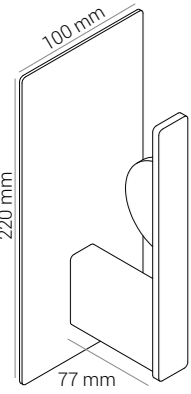
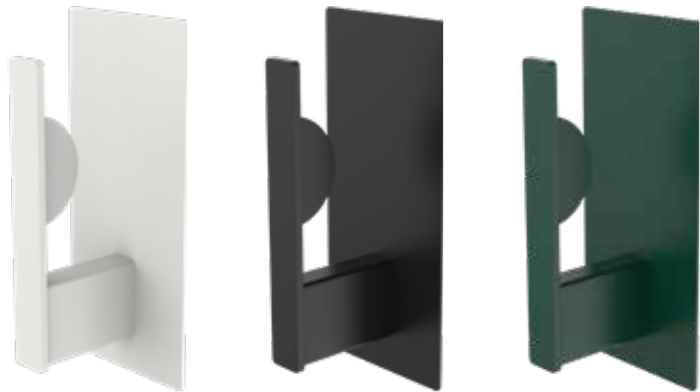
TOILET ROLL HOLDER W/ SHELF

- Capacity: 1 standard size paper roll
- Available as right- and left-oriented
- Ideal for low to medium traffic washrooms
- Back-to-back mounting option
- Sleek design
- Available in matte black, white, or RAL classic color
- 2 year warranty



TOILET ROLL STORAGE HOLDER

- Capacity: 1 standard size paper roll
- Ideal for low to medium traffic washrooms
- Back-to-back mounting option
- Sleek design
- Available in matte black, white, or RAL classic color
- 2 year warranty



Back-to-back mounting option. The products can be mounted back-to-back on both sides of a wall.

BACT-TO-BACK MOUNTING OPTION

The back-to-back mounting option is a smart and space-saving solution that maximizes efficiency and optimizes the utilization of available space.

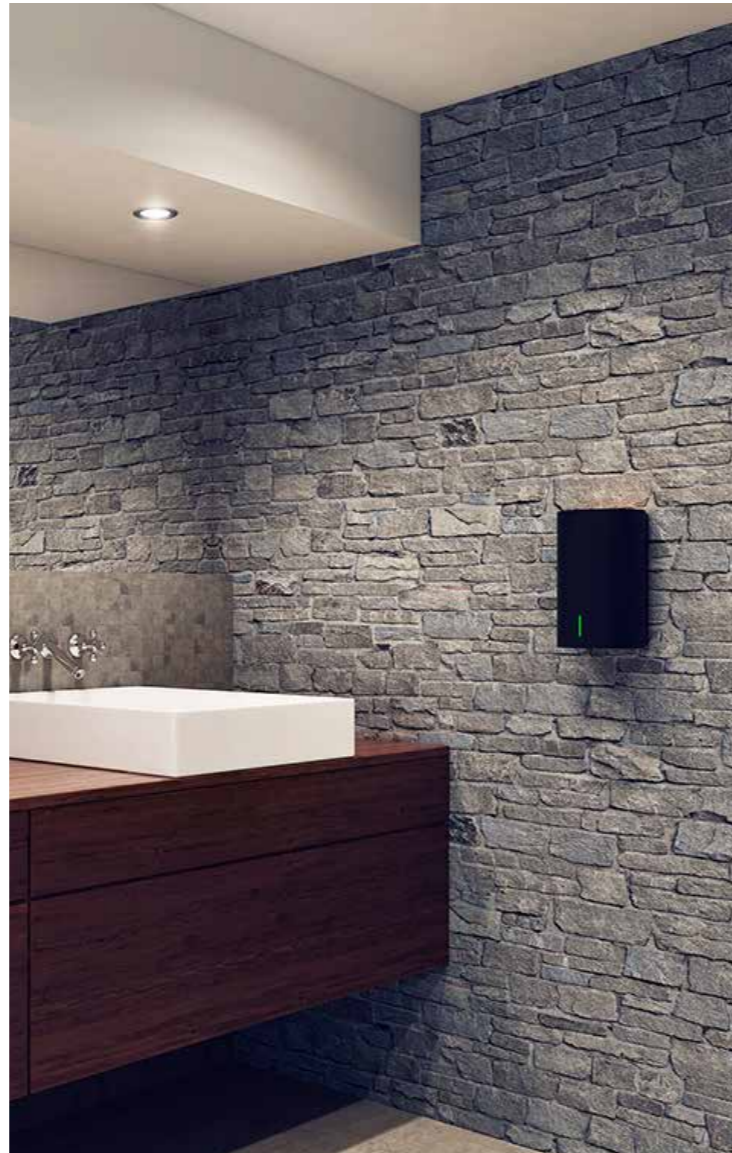
By mounting products on both sides of a wall you get numerous advantages.

Space is a valuable commodity in any environment, whether it's a public or commercial space. The back-to-back mounting option allows for the consolidation of products on a single wall, effectively doubling the functionality without occupying additional space. This is particularly beneficial in compact areas where every inch counts.

Moreover, this mounting method damages the walls less and enhances the aesthetics of the space by eliminating clutter and providing a clean and streamlined appearance.

With products neatly arranged on both sides of the wall, the overall visual impact is organized and visually appealing. This not only contributes to a more polished and professional look but also creates a more pleasant and conducive environment.





INTERNATIONAL AWARDS

BJÖRK BABY CHANGING STATION

- Red Dot Design Award – best of the best, 2017
- German Design Award, 2018
- Good Design, 2018

BJÖRK HAND DRYER

- Red Dot Design Award, 2015



reddot design award
best of the best



reddot award 2015
winner